



FC-103



FC-6046



FC-6046B



FC-5046

Stocking Part #'s

- FC-103-KA-F27
- FC-103-KD

- FC-5046-KA-F26
- FC-5046-KA-F27
- FC-5046-KD

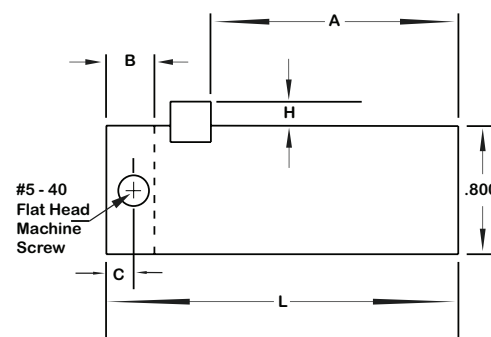
- FC-6046-KA-F27
- FC-6046-KD

- FC-6046B-KA-217
- FC-6046B-KD

Features:

- 90 degree key turn, removable locked position only
- Furnished with screw
- Clear chromate finish
- Hudson H20 (Ilco 1003M) Keyway
- FC5046 For insulated files

Part #	A	B	H	C	L
FC-103	1 3/32"	27/64"	1/8"	0.800	2"
FC-6046	27/32"	9/32"	1/8"	0.800	1 3/4"
FC-6046B	27/32"	9/32"	1/8"	0.800	1 3/4"
FC-5046	27/32"	9/32"	1/8"		1 7/16"



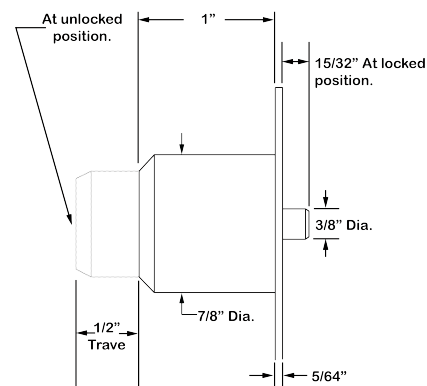
1001 Sliding Door Lock

Features:

- 90 degree key turn, removable locked and unlocked position
- Lock has deadbolt which is locked by pushing the plunger in and is released by turning the key.
- Furnished with screw and cup.
- Bright nickle plated (US14) finish
- Hudson H01 (Ilco L1054B) Keyway

Stocking Part #'s

- 1001-KA-HL300
- 1001-KA-HL301
- 1001-KD



SW1 - Maintaining contact switch

SW2 - Momentary contact switch

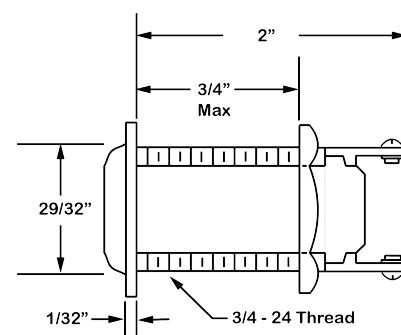
Features:

- SW1: When key is rotated 90 deg. clockwise contact is made. Key removable in locked (off) and unlocked (on) position.
- SW2: When key is rotated 90 deg. clockwise momentary contact is made and built in sprng automatically returns switch to off position. Key removeable in locked (off) position only.
- Bright nickle plated (US14) finish
- Hudson H01 (Ilco L1054B) Keyway
- Furnished with 105 nut, 106 face ring, and 2 screws

Stocking Part #'s

- SW1-KA-EL101
- SW1-KD

- SW2-KA-EL101
- SW2-KD





7599, 7598 Metal Desk Locks

Features:

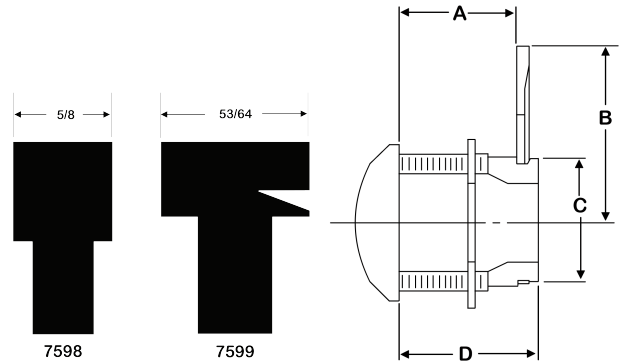
- Operation: Key turns 180° clockwise moving T-bolt upwards. Key removable in both positions.
- Zamac Bolt:
7599 - 53/64"
7598 - 5/8"
- Hudson H01 (Ilco L1054B) Keyway
- Furnished with 105 nut
- Stocked KA and KD

Stocking Part #'s

- 7598-KA-PK628
- 7598-KD
- 7599-KA-HL302
- 7599-KD



Unlocked Position					
Part #	A	B	C	D	Bolt Throw
7599	19/32"	25/32"	3/4"	53/64"	11/32"
7598	21/32"	15/16"	3/4"	59/64"	11/32"



PTDC-656 Mail Box Lock

Features:

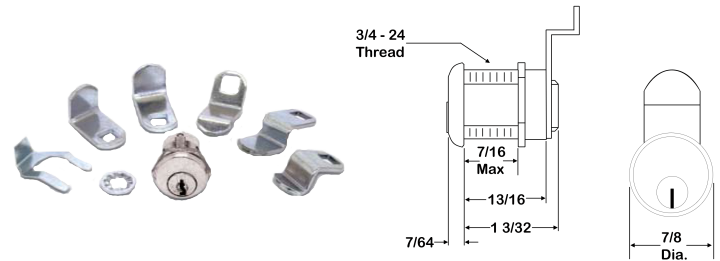
- Operation: Key turns 90° . Key removable in locked position only.
- Hudson H20 (Ilco 1003M) Keyway
- Weathershield for outdoor use.
- Brushed chrome finish
- Keyed Different



PT812-X5 Mail Box Lock

Features:

- Operation: Key turns 90° . Key removable in locked position only.
- Furnished with 105 nut and cam nut
- Brushed chrome finish
- Keyed Different
- Hudson H20 (Ilco 1003M) Keyway



Locking Handles

Features:

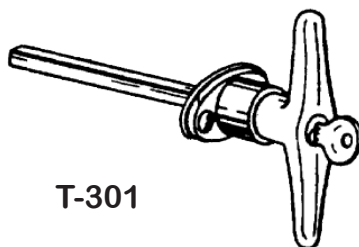
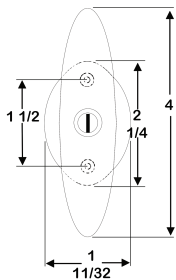
- Bright Chrome Finish
- Stocked KA and KD
- 5 Brass Wafers

Stocking Part #'s

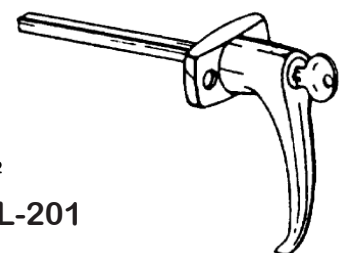
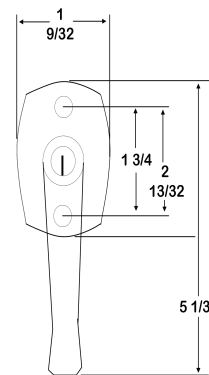
- T-301-KA-CH751
- T-301-KD
- L-201-KA-CH751
- L-201-KD

Features:

- Bright Chrome Finish
- Stocked KA and KD
- 5 Brass Wafers



T-301



L-201